

Maximum Ratings

Symbol	Conditions
V_R	
V_{RRM}	
$I_{F(AV)}$	$T_C=110^{\circ}\text{C}$, Per Diode

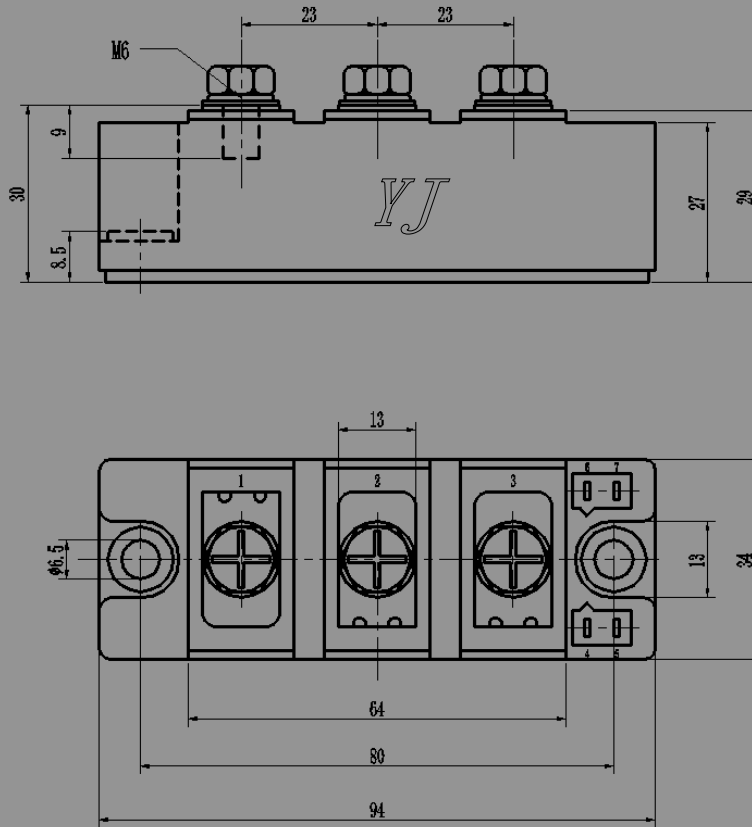


MF100C12F2N



Package Outline Information

CASE: F2N



Dimensions in mm