

Thyristor Modules

V_{RRM} 12 361.6t/ 00382 776.30 Tm-.02 TcR

Module Type

Maximum Ratings

Thermal Characteristics

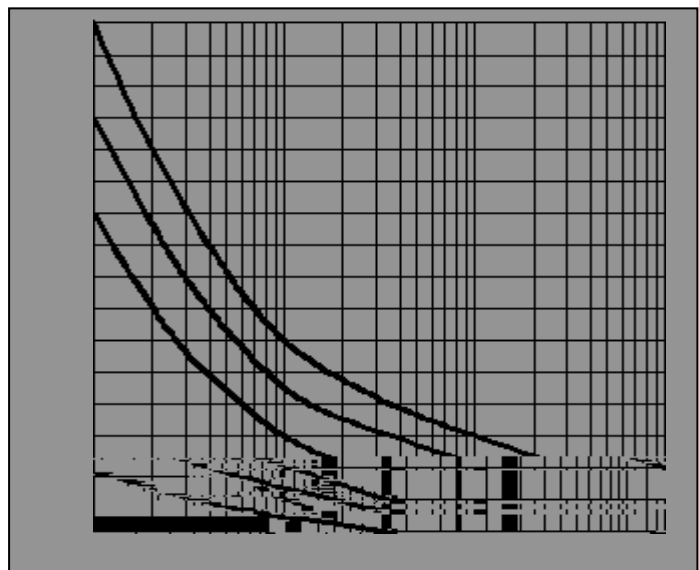
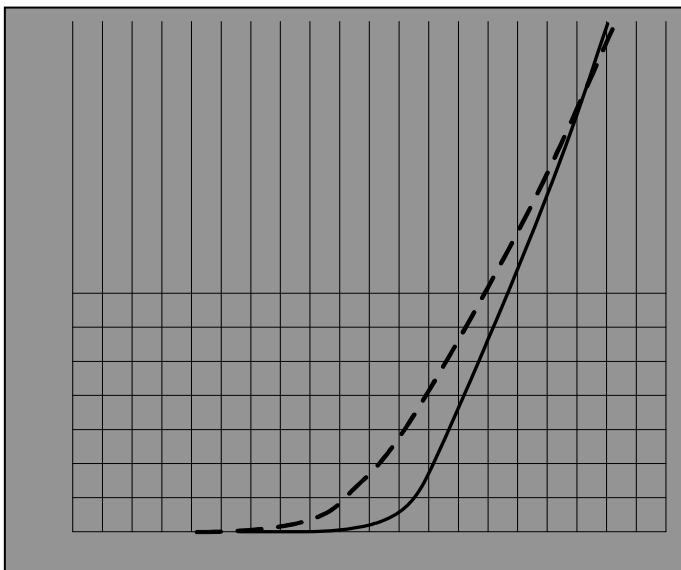
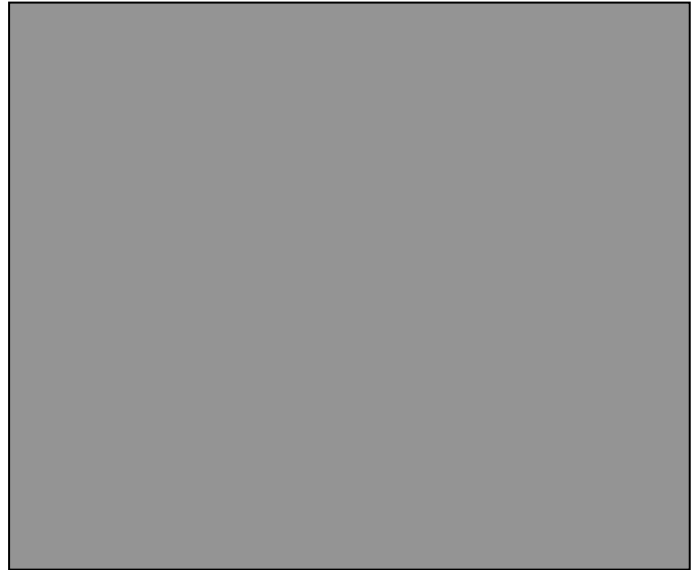
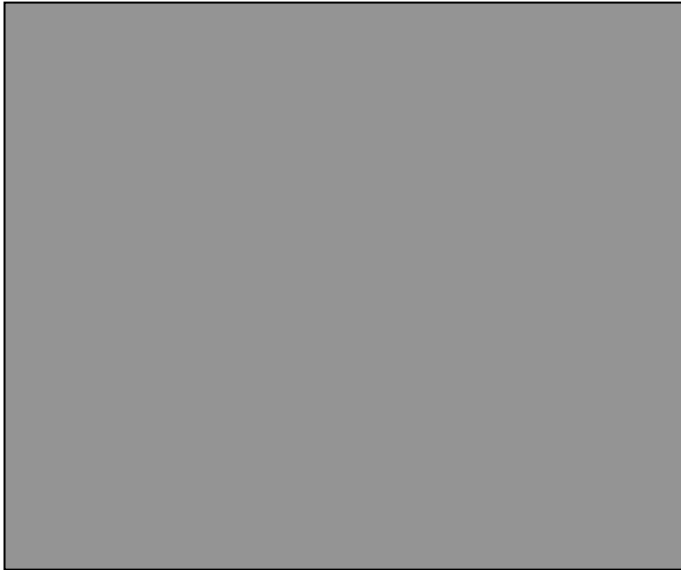


Electrical Characteristics

Symbol	Conditions	Values	Units
		Min.	



Performance Curves



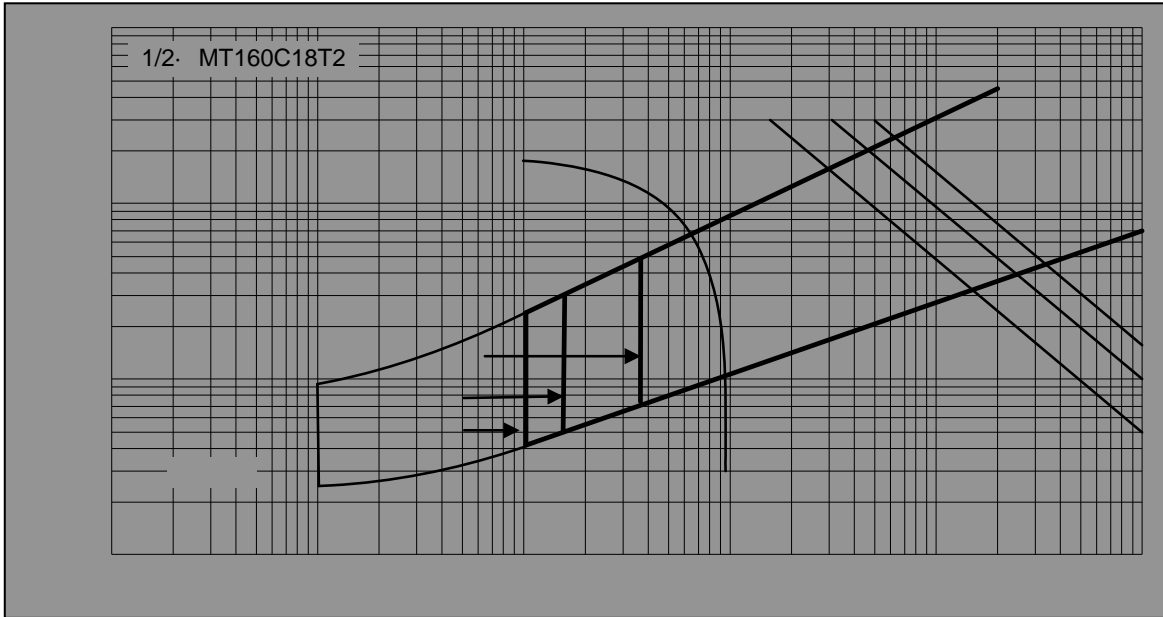
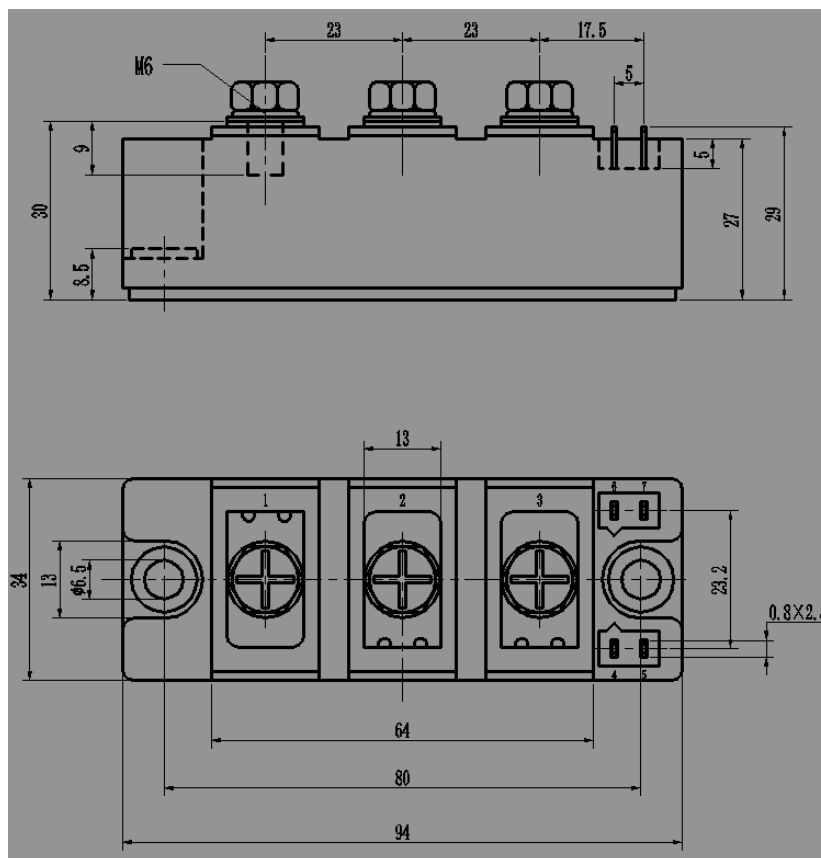


Fig7. Gate trigger Characteristics

Package Outline Information

CASE: T2



Dimensions in mm