



N-Channel Enhancement Mode Field Effect Transistor

Product Summary

V_{DS}	60V
I_D	



YJG210G06AR

Electrical Characteristics ($T_J=25$ unless otherwise noted)

Parameter	Symbol	Conditions	Min	Typ	Max	Units
Static Parameter						

Drain-



YJG210G06AR

Typical Electrical and Thermal Characteristics Diagrams

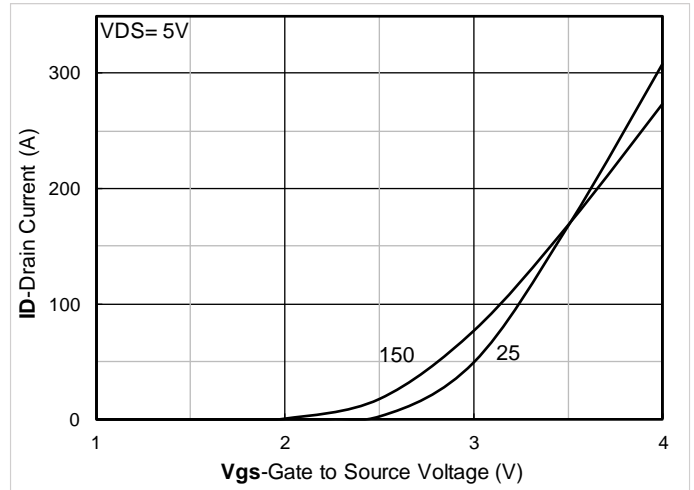


Figure 2. Transfer Characteristics

Figure 1. Output Characteristics

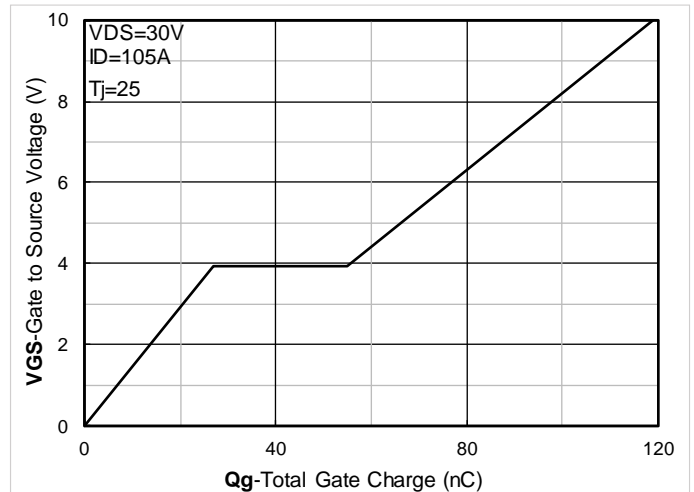


Figure 4. Gate Charge

Figure 3. Capacitance Characteristics

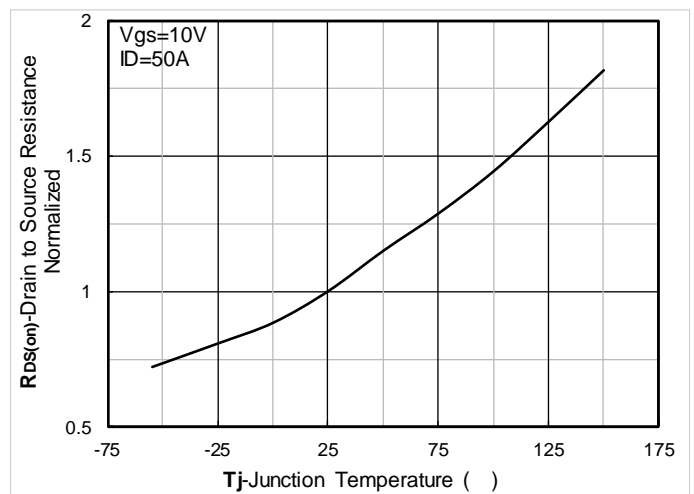


Figure 6. Normalized On-Resistance

Figure 5. On-Resistance vs Gate to Source Voltage



YJG210G06AR

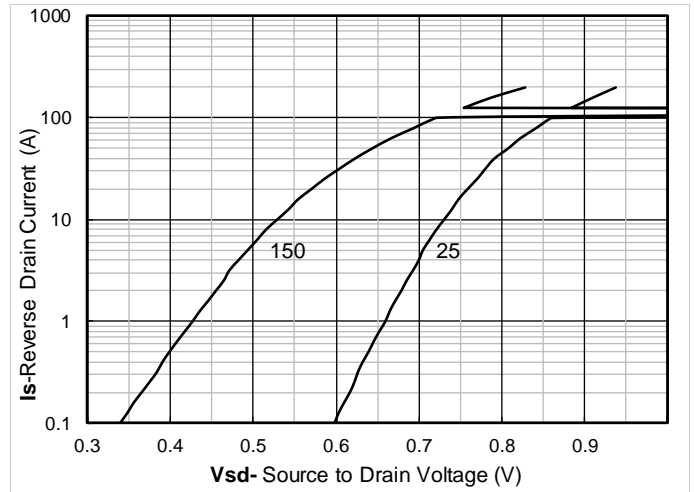


Figure 8. Forward characteristics of reverse diode

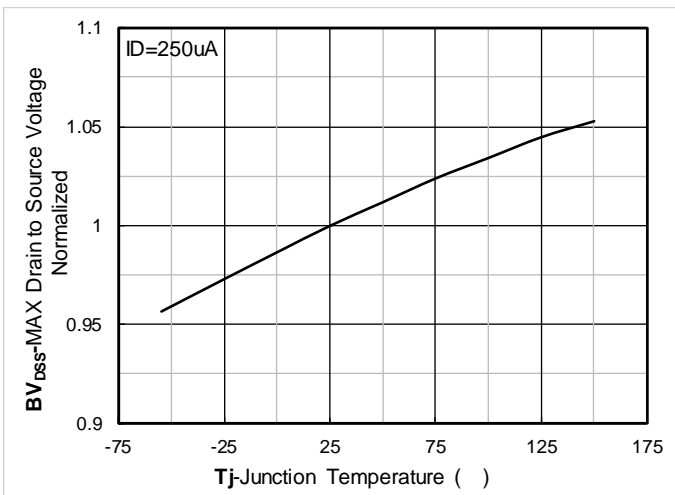


Figure 9. Normalized breakdown voltage

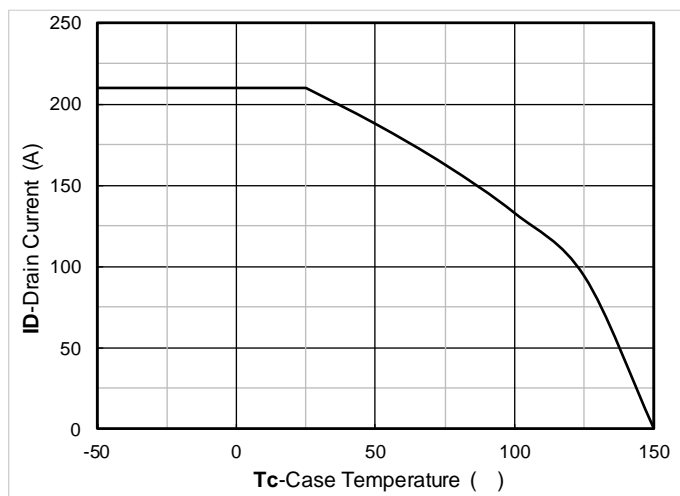


Figure 11. Current dissipation

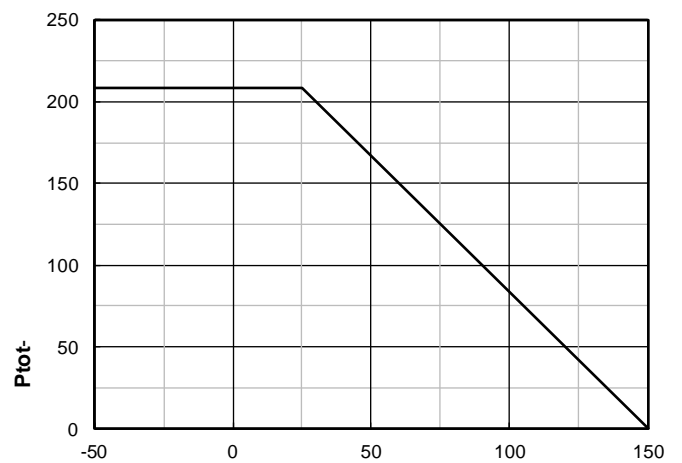


Figure 12. Power dissipation



YJG210G06AR

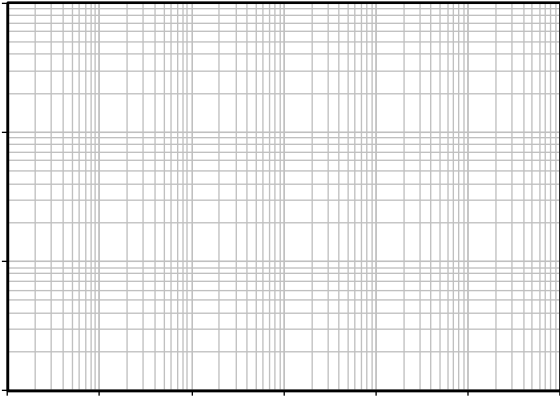


Figure 13. Maximum Transient Thermal Impedance

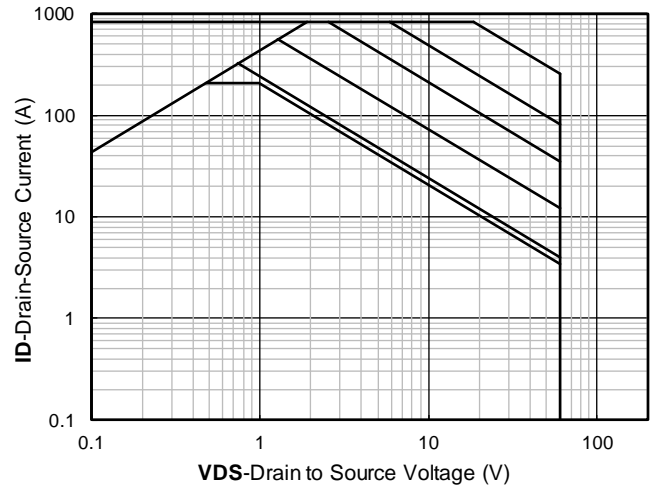


Figure 14. Safe Operation Area

Test Circuits & Waveforms

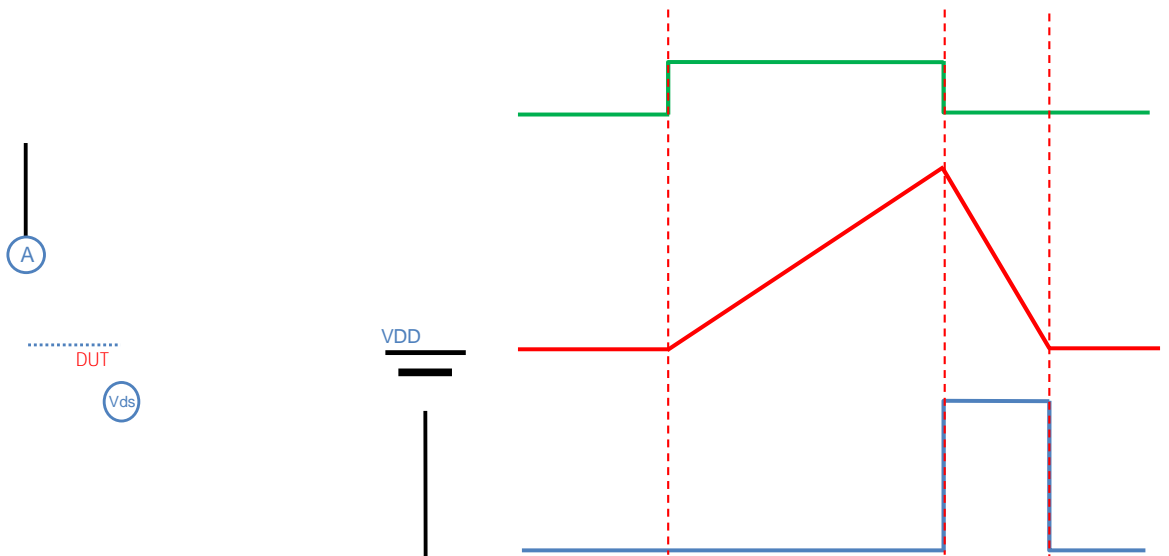


Figure A. Unclamped Inductive Switching (UIS) Test Circuit & Waveform



YJG210G06AR

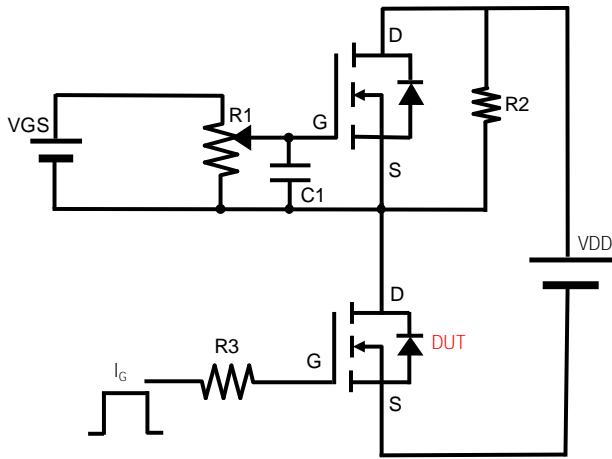


Figure B. Gate Charge Test Circuit & Waveform

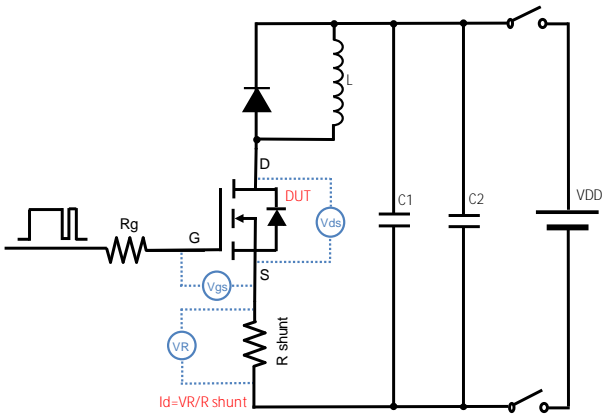


Figure C. Resistive Switching Test Circuit & Waveform

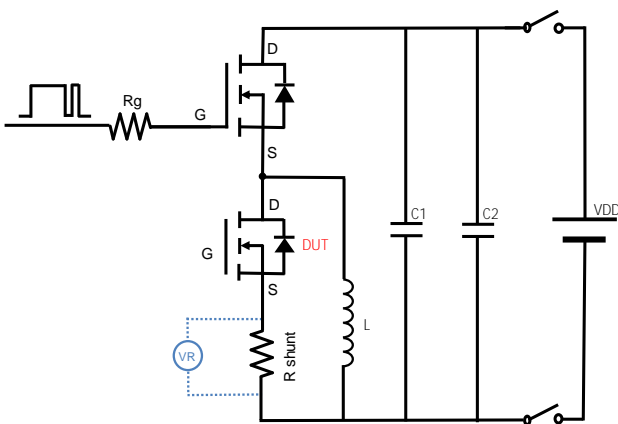


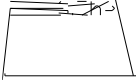
Figure D. Diode Recovery Test Circuit & Waveform



YJG210G06AR

PDFN5060-8L-D-0.95MM Package information

Note:
1. Controlling dimension: in millimeters.
2. General tolerance: $\pm 0.10\text{mm}$.





YJG210G06AR

Disclaimer

The information presented in this document is for reference only. Yangzhou Yangjie Electronic Technology Co., Ltd. reserves the right to make changes without notice for the specification of the products displayed herein to improve reliability, function or design or otherwise.

The product listed herein is designed to be used with ordinary electronic equipment or devices, and not designed to be used with equipment or devices which require high level of reliability and the malfunction of which would directly endanger human life (such as medical instruments, transportation equipment, aerospace machinery, nuclear-reactor controllers, fuel controllers and other safety devices), Yangjie or anyone on its behalf, assumes no responsibility or liability for any damages resulting from such improper use of sale.

This publication supersedes & replaces all information previously supplied. For additional information, please visit our website <http://www.21yangjie.com> , or consult your nearest Yangjie's sales office for further assistance.