







Fig. 1 - DC Current Gain Characteristics

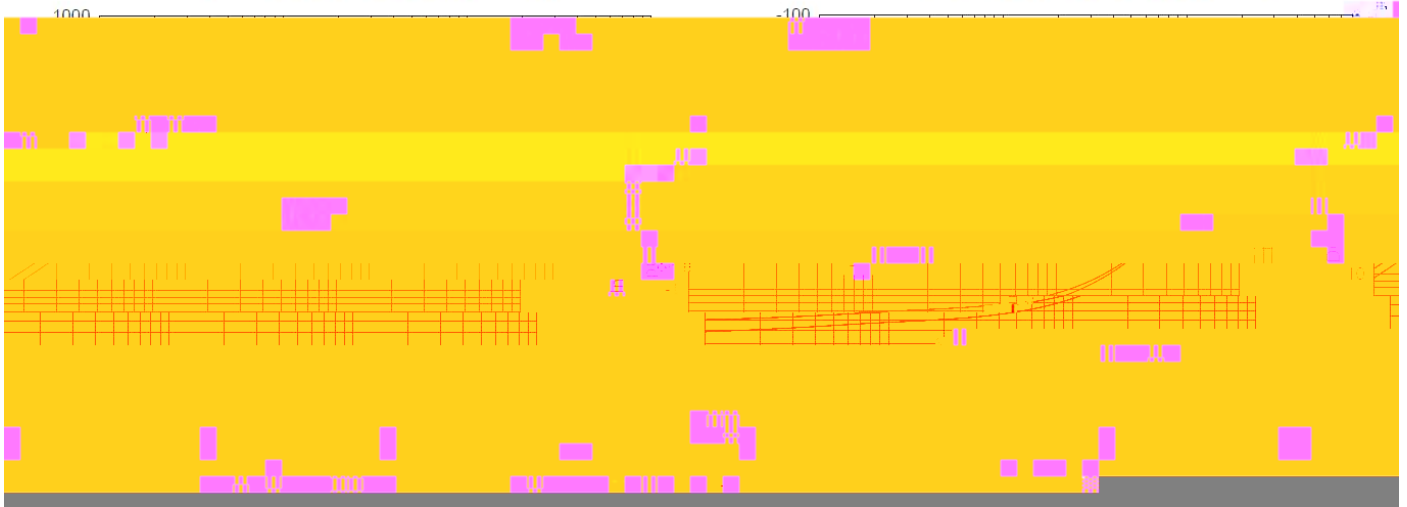


Fig. 2 - Input Voltage (on) Characteristics

Fig. 3 - Input Voltage (off) Characteristics

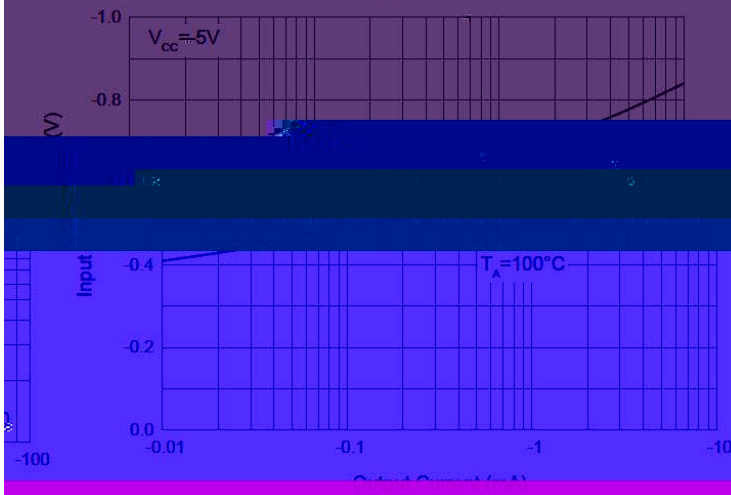
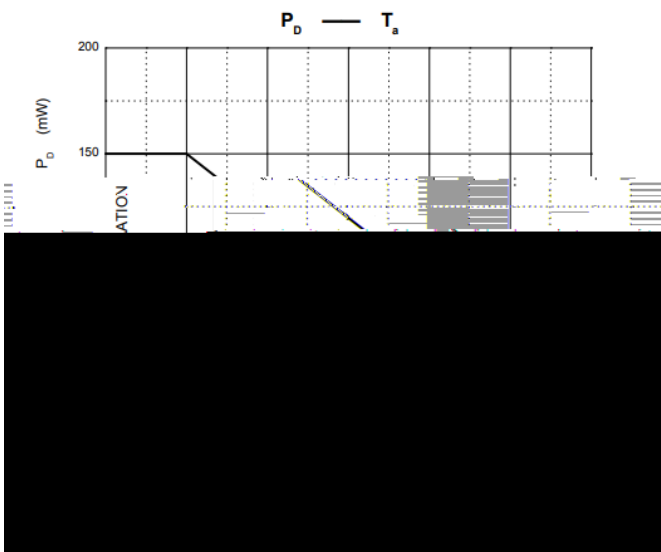
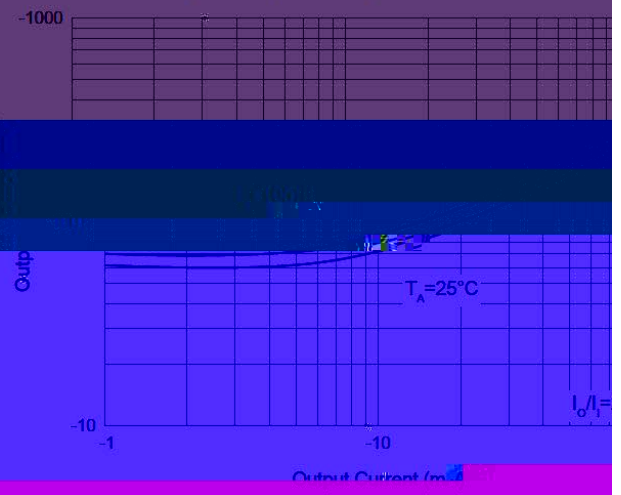
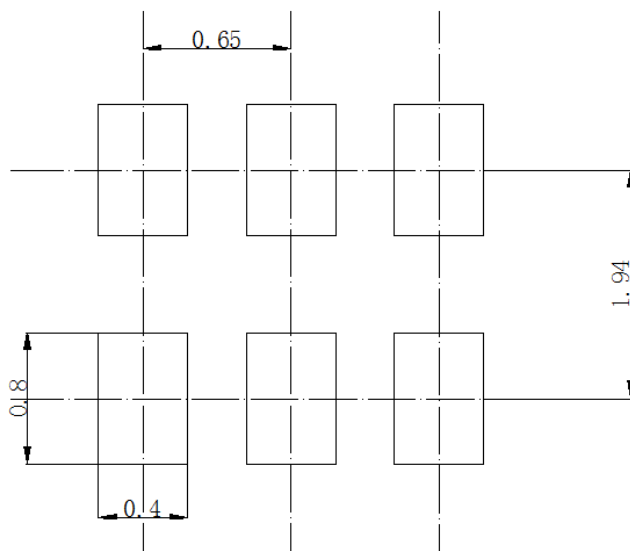
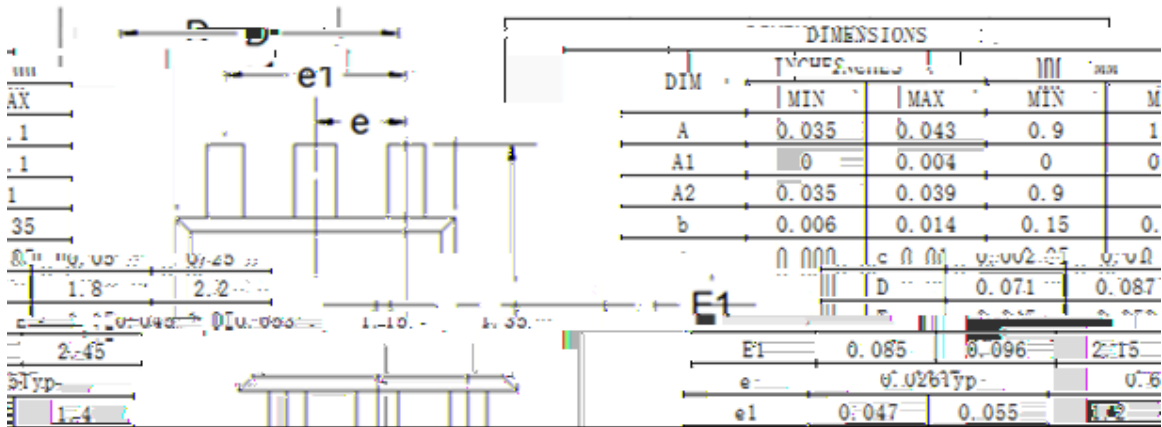


Fig. 4 - Output Voltage Characteristics





Unit mm

