

Digital Transistors (Built-in Resistors)



Features

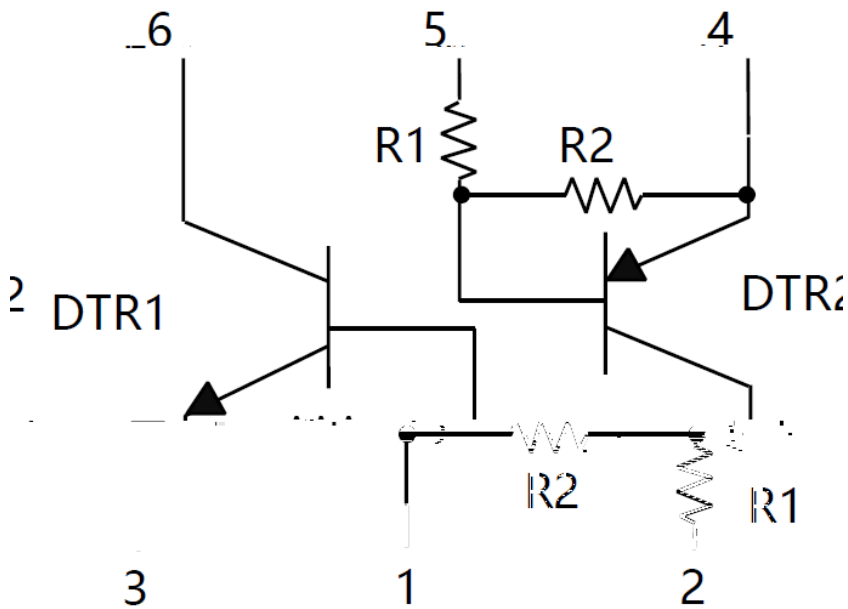
Mechanical Data

Package:

Terminals:

Marking:

Equivalent circuit





UMD12N

Maximum Ratings DTR1-NPN

Å

ITEM	SYMBOL	UNIT	CONDITIONS	VALUE
Ä Ä				

DTR2-PNP

ITEM	SYMBOL	UNIT	CONDITIONS	VALUE



UMD12N

DTR2-PNP

ITEM	SYMBOL	UNIT	CONDITIONS	MIN	TYP	MAX



UMD12N

Fig. 3. DTR1 Input Voltage (off) Characteristics

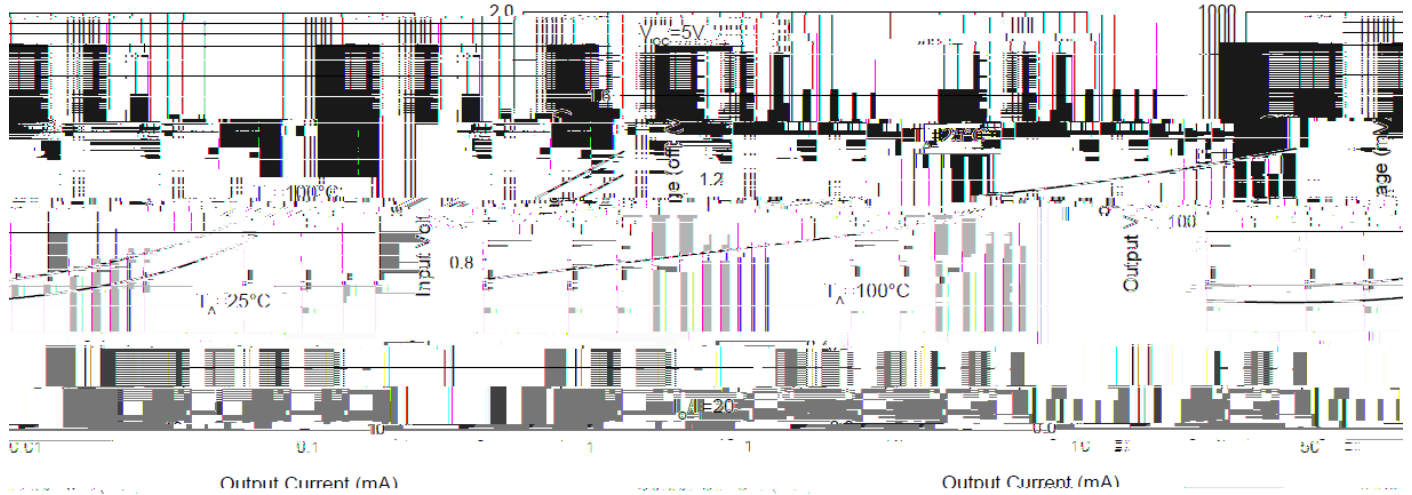


Fig. 4. DTR1 Output Voltage Characteristics

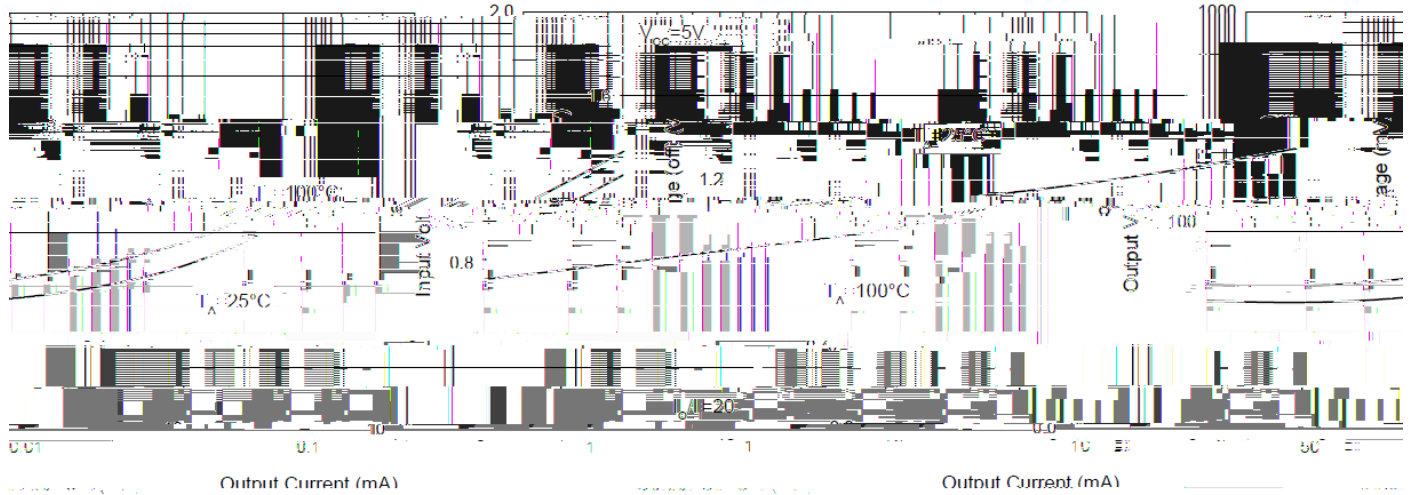


Fig. 5. DTR2 DC Current Gain Characteristics

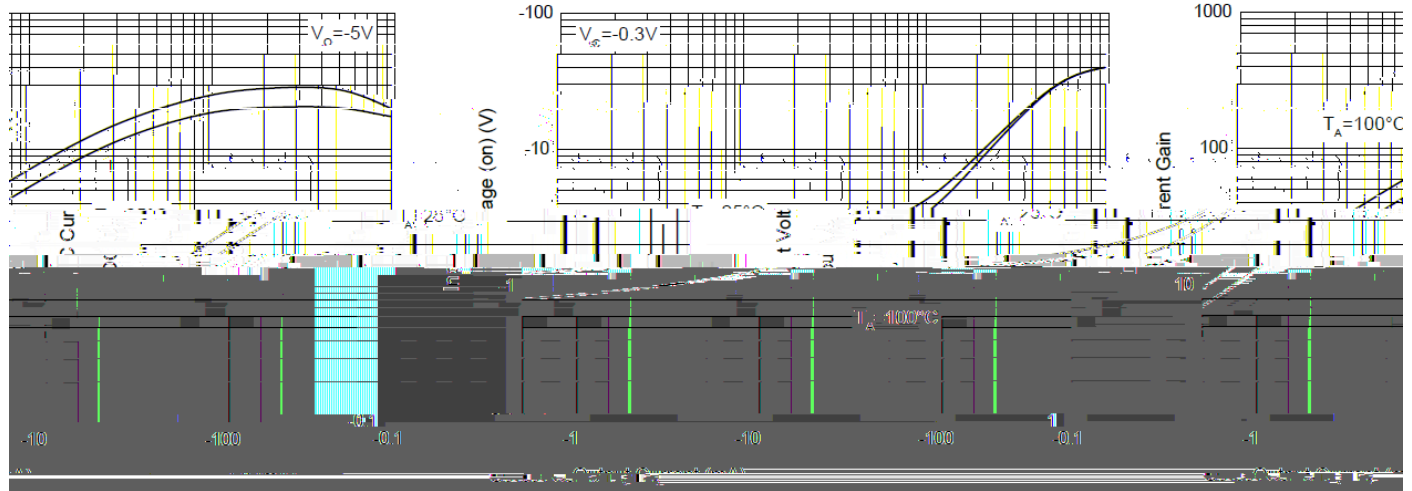


Fig. 6. DTR2 Input Voltage (on) Characteristics

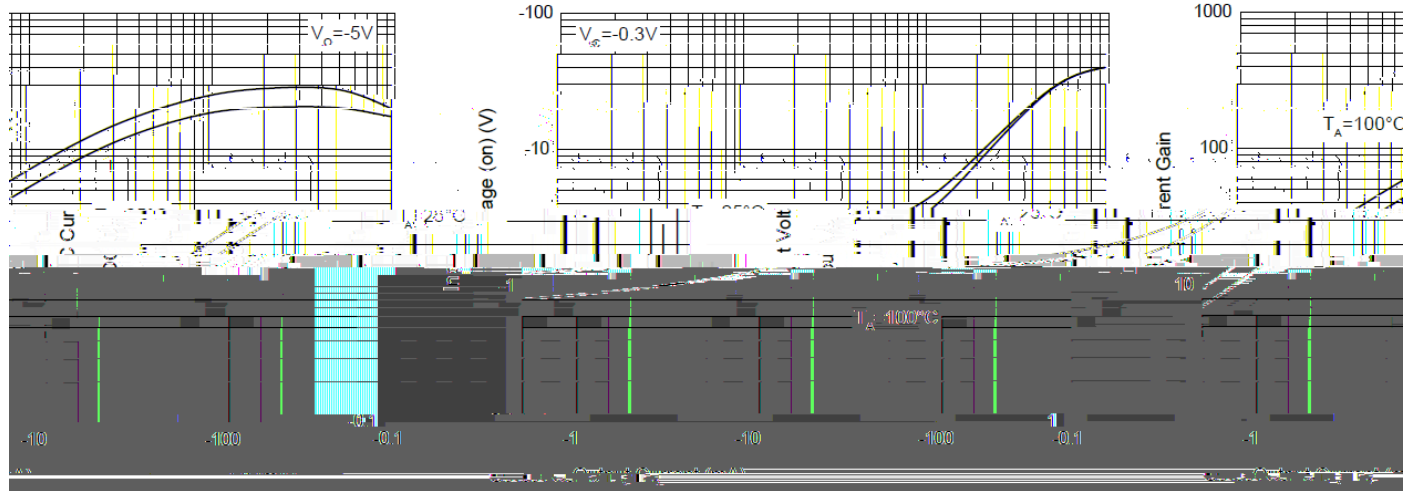


Fig. 7. DTR2 Input Voltage (off) Characteristics

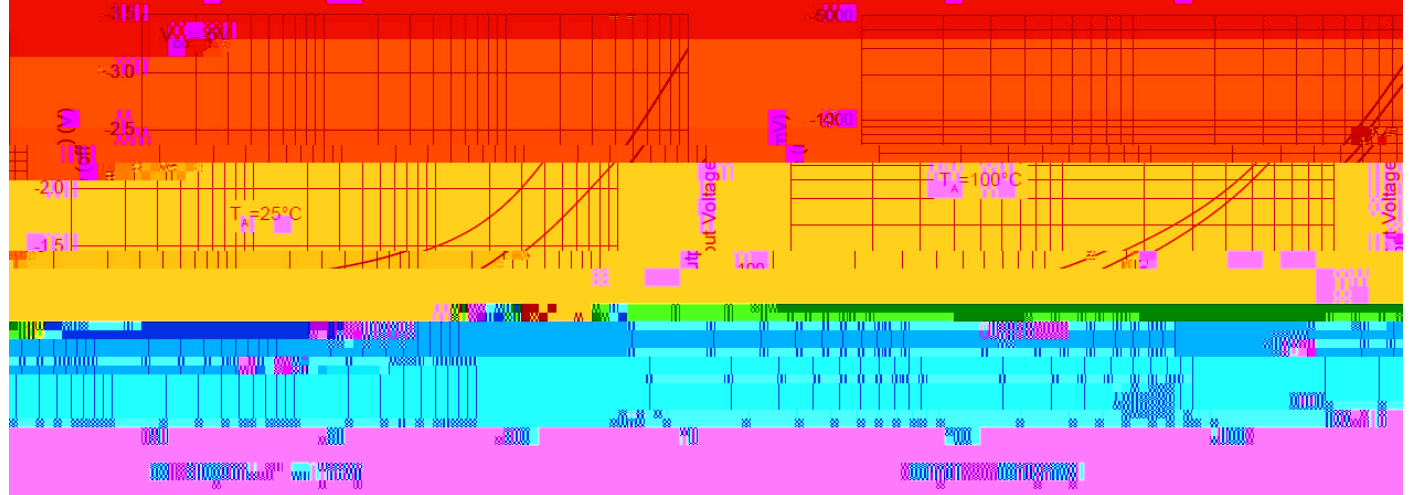
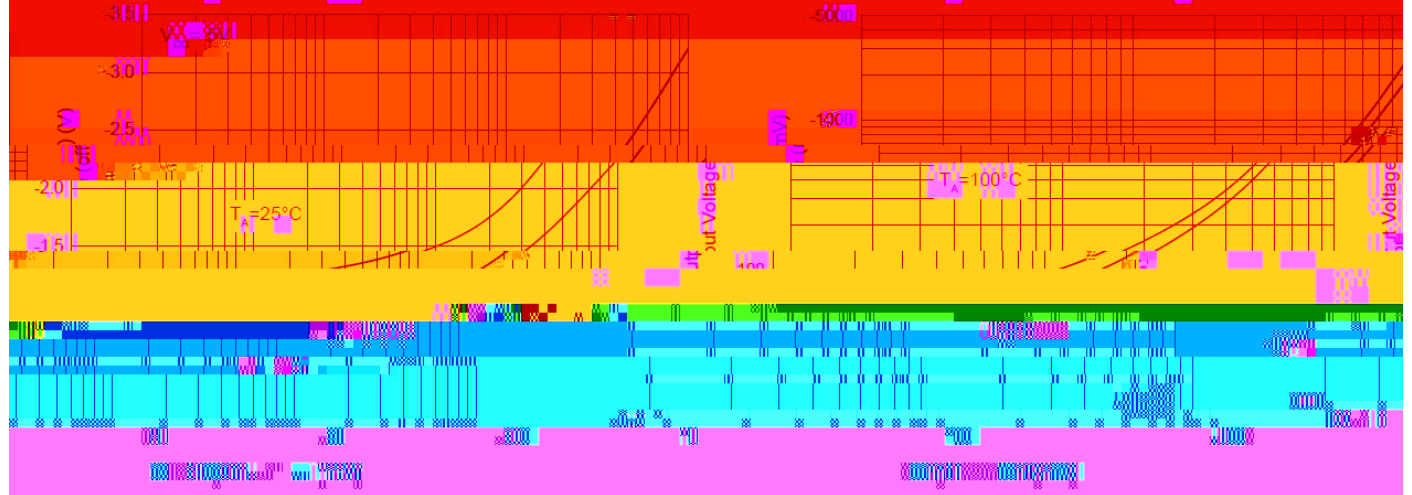


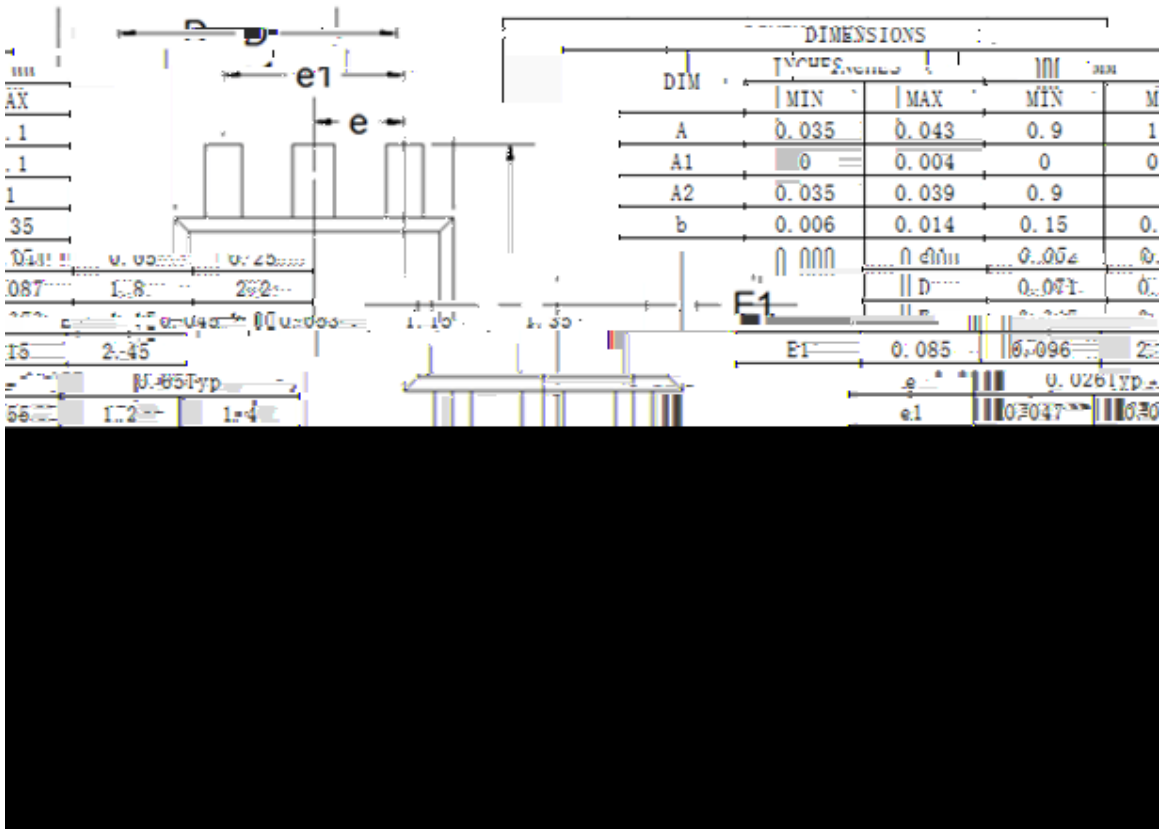
Fig. 8. DTR2 Output Voltage Characteristics



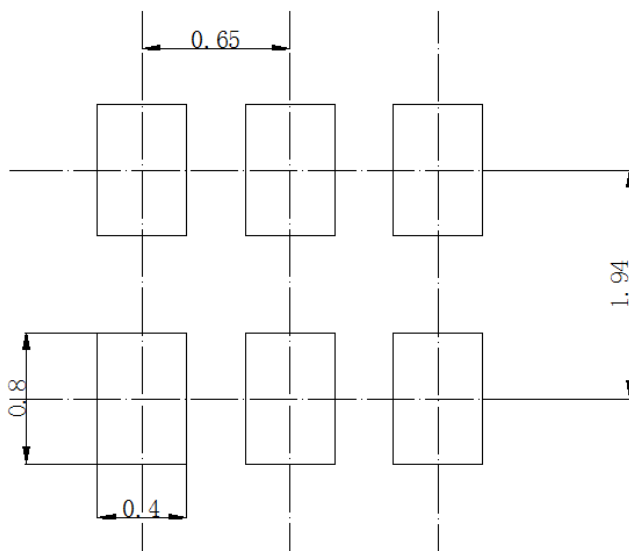


UMD12N

SOT-363 Package Outline Dimensions



SOT-363 Suggested Pad Layout



Ö

UMD12N

Disclaimer
