





# UMH13N

## Maximum Ratings (Ta=25 Unless otherwise specified)

ITEM	SYMBOL	UNIT	CONDITIONS	VALUE
Supply Voltage	V <sub>CC</sub>	V		50
Input Voltage	V <sub>IN</sub>	V		-5 to +30
Output Current	I <sub>o</sub>	mA		100
Power Dissipation	P <sub>D</sub>	mW		150
Junction Temperature Single	T <sub>j</sub>			150
Storage Temperature	T <sub>STG</sub>			-55 to +150

## Electrical Characteristics (Ta=25 unless otherwise specified)

ITEM	SYMBOL	UNIT	CONDITIONS	MIN	C <sub>f</sub>
------	--------	------	------------	-----	----------------



Characteristics (Typical)

Fig. 1 - DC Current Gain Characteristics

Fig. 2 - Input Voltage (on) Characteristics

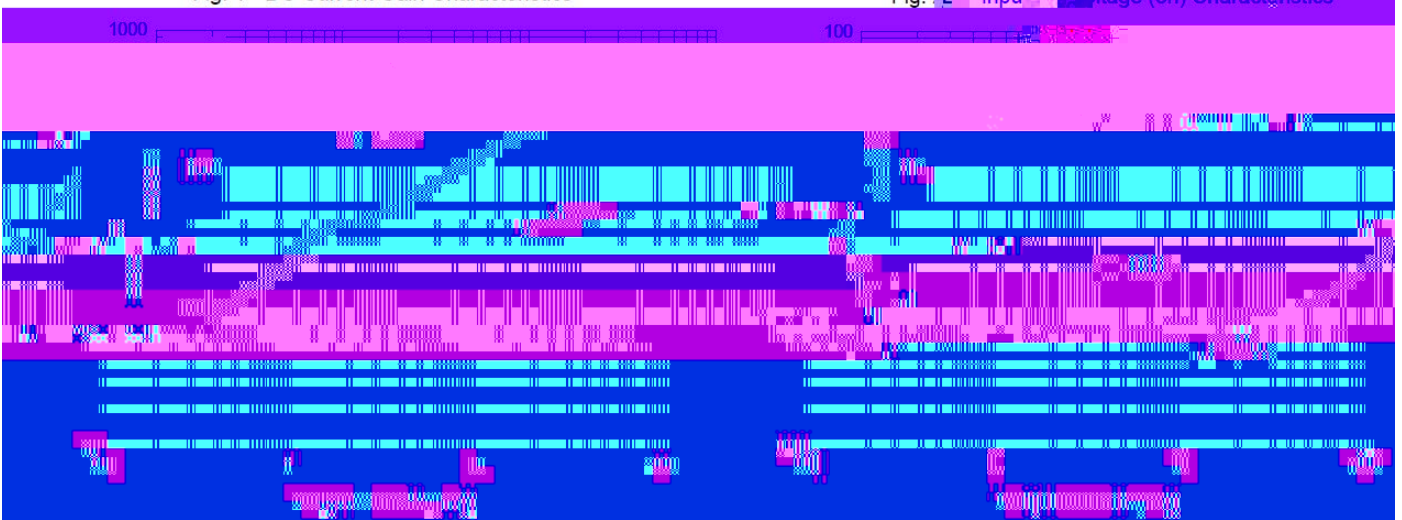
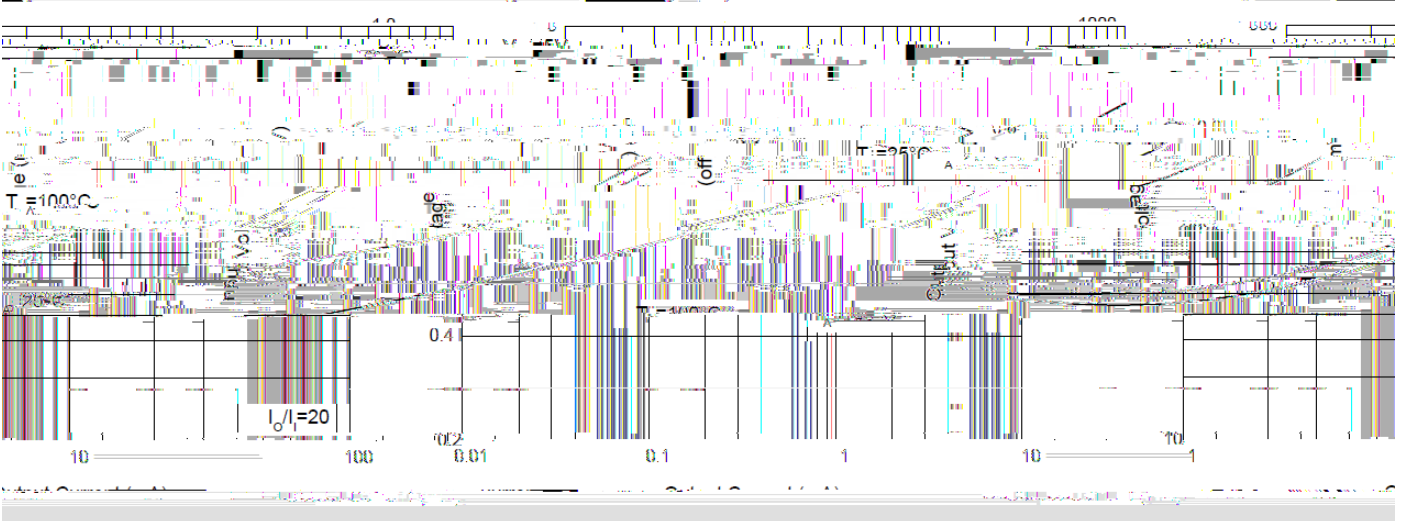


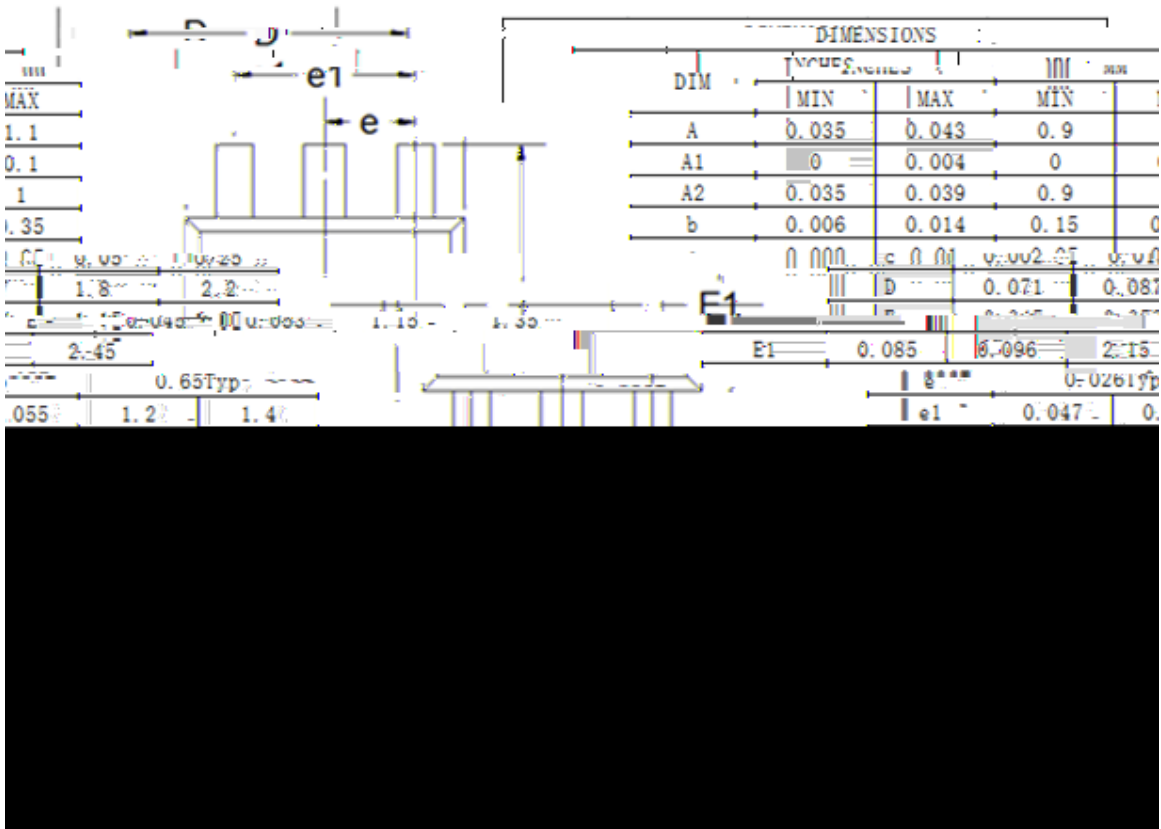
Fig. 3 - Input Voltage (off) Characteristics

Fig. 4 - Output Voltage Characteristics

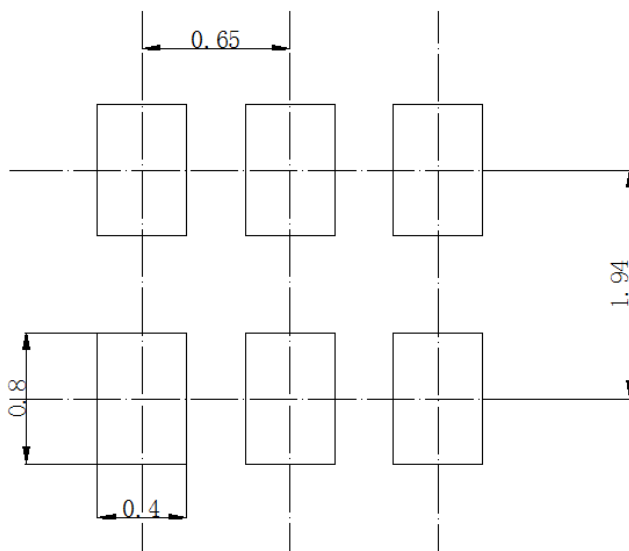




## SOT-363 Package Outline Dimensions



## SOT-363 Suggested Pad Layout





**Disclaimer**

The information presented in this document is for reference onlce

on i