

Dual NPN Digital Transistors (Built-in Resistors)



Features

- Epoxy meets UL-94 V-0 flammability rating
- Built-in bias resistors enable the configuration of an inverter circuit without connecting external input resistors
- Surface mount package ideally Suited for Automatic Insertion

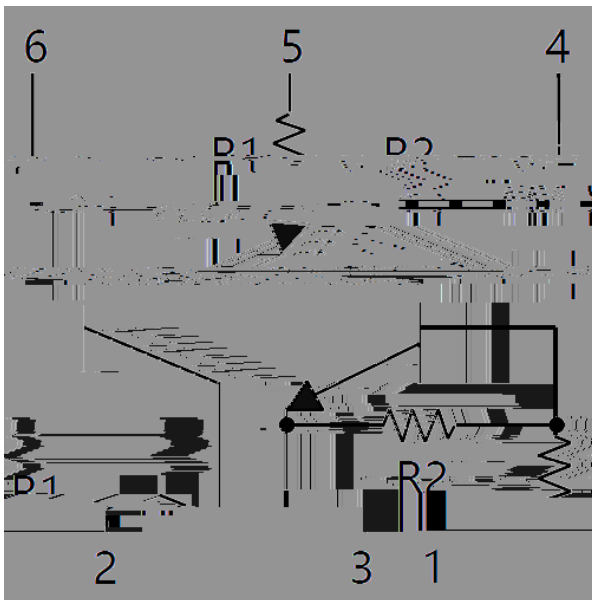
Mechanical Data

Package: SOT-363

Terminals: Tin plated leads, solderable per J-STD-002 and JESD22-B102

Marking:H2

Equivalent circuit



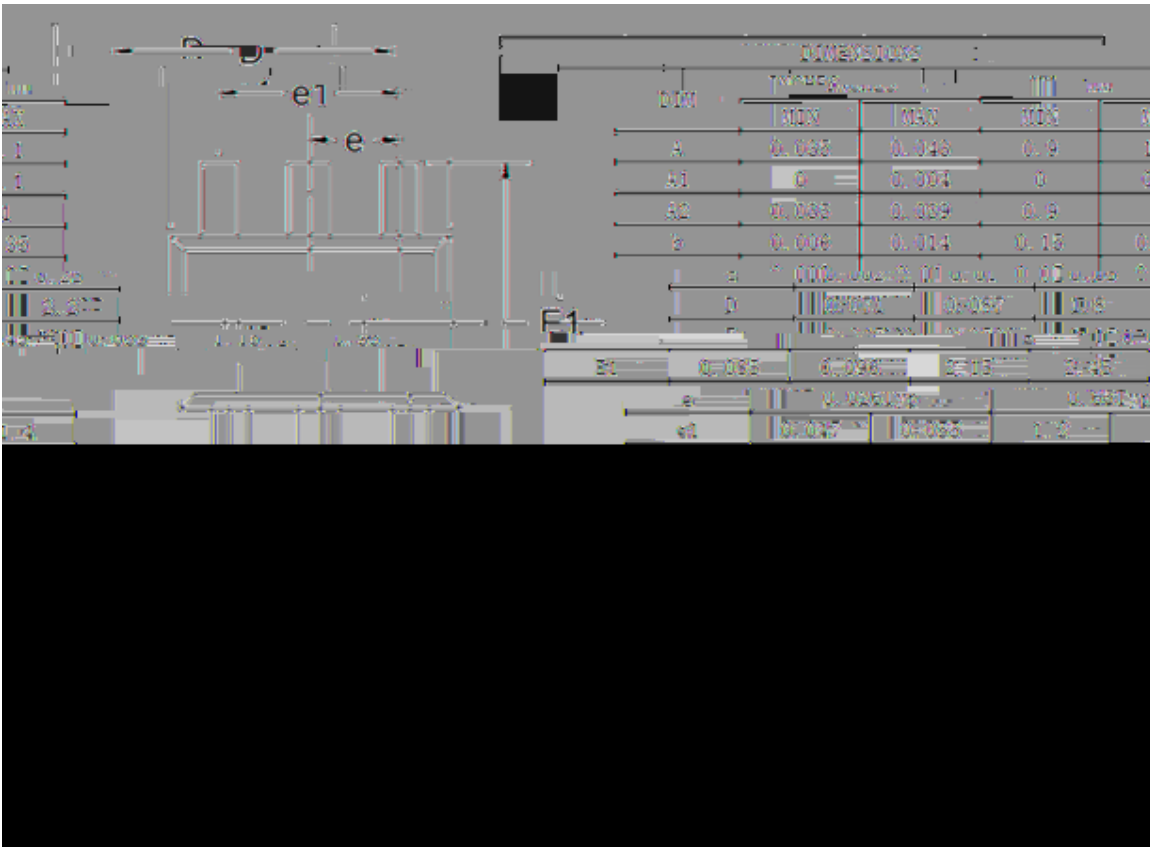


UMH2N

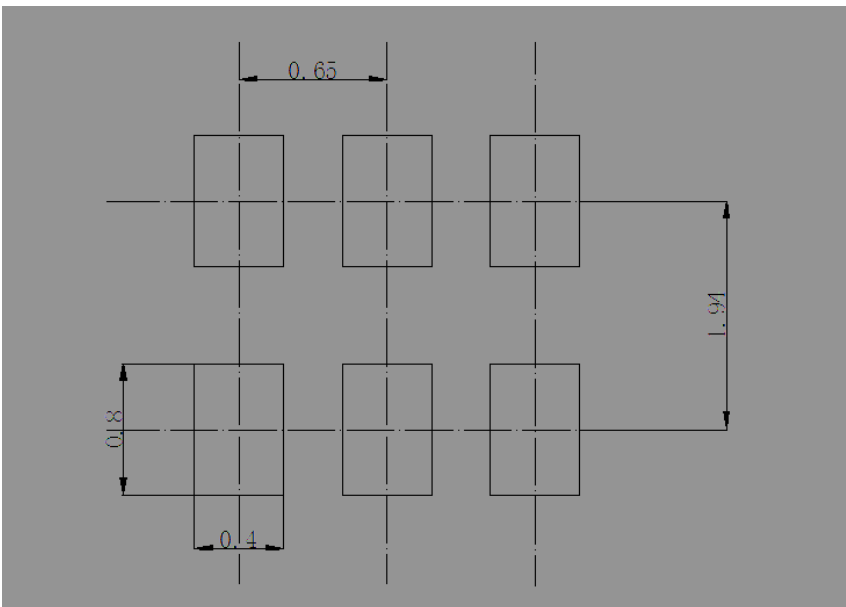
Maximum Ratings (Ta=25 Unless otherwise specified Å

ITEM

SOT-363 Package Outline Dimensions



SOT-363 Suggested Pad Layout



Unit Ömm



Disclaimer

The information presented in this document is for reference only. MT esb... t... r