



MBR2060CT

Schottky Diodes

Features

- " High frequency operation
- " High purity, high temperature epoxy encapsulation for enhanced mechanical strength and moisture resistance
- " Guard ring for enhanced ruggedness and long term reliability
- " Solder dip 275 °C max. 7 s, per JESD 22-B106

Typical Applications

Typical applications are in switching power supplies, converters, freewheeling diodes, and reverse battery protection.

Mechanical Data

- " **Package:** TO-220AB
Molding compound meets UL 94 V-0 flammability rating, RoHS-compliant
- " **Terminals:** Tin plated leads, solderable per J-STD-002 and JESD22-B102
- " **Polarity:** As marked

Maximum Ratings (T_a=25 °C Unless otherwise specified)

PARAMETER	SYMBOL	UNIT	MBR2060CT
Device marking code			MBR2060CT
Repetitive Peak Reverse Voltage	VRRM	V	60
Average Rectified Output Current @60Hz sine wave, R-load, T _a =25	I _O	A	20



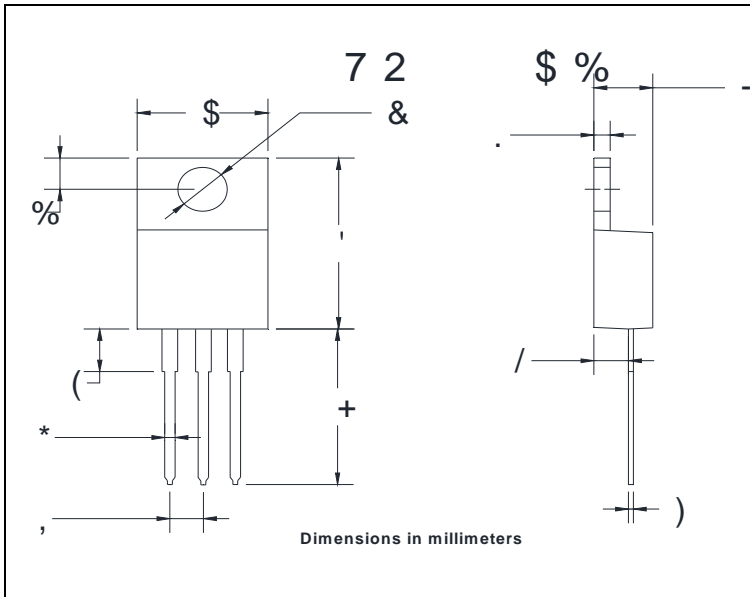
MBR2060CT

Thermal Characteristics $T_a=25$ Unless otherwise specified

PARAMETER



Outline Dimensions



Disclaimer

The information presented in this document is for reference only. Yangzhou Yangjie Electronic Technology Co., Ltd. reserves the right to make changes without notice for t